

POWER START ASSIST

HAND PALLET TRUCK

The PST23 features Power-Start-Technology to enable the truck to easily overcome initial inertia of a load. This power start-assist hand pallet truck features a simple design to reduce strain on the operator without the use of batteries or motors. Simply pumping the towbar up or down allows the truck to be easily maneuvered in any direction, even when carrying its maximum load.



STANDARD SPECIFICATIONS:

- Capacity: 5,000 lbs.
- Fork OAW: 20.5", 27"
- Fork width: 6.25"
- Fork length: 36", 42", 48"
- Fork height (lowered): 3"

FOR ORDERS OR INQUIRIES CALL 1.800.558.6012 OR EMAIL HPTORDERS@RAYMONDCORP.COM

If you're looking for a partner with the tools and experience to help you run better and manage smarter, contact us today at 1-800-235-7200 or visit us at raymondcorp.com.

RAYMOND

POWER START ASSIST HAND PALLET TRUCK

ERGONOMICS

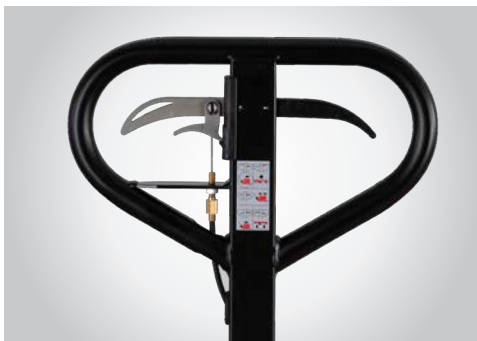
Take a load off. The Power-Start Technology helps you maneuver your load so you can focus on steering instead of towing.

PRODUCTIVITY

Let the PST23 do the work for you. It's engineered to help you handle loads with little effort while increasing efficiency. The Power-Start Technology reduces starting resistance even when the truck is heavily loaded. Squeeze the handgrip, pump the towbar and the truck will automatically move in the direction you want. When the handgrip is pressed downward, and the towbar is raised, the truck will move in the direction of the forks.



Power-Start-Technology reduces starting resistance even when the hand pallet truck is heavily loaded. Travel direction is selected via an adjusting handgrip on the towbar. Squeeze the handgrip, pump the towbar and the truck will be launched in the walking direction. When the handgrip is pressed downward, and the towbar raised, the truck will move in the direction of the forks.



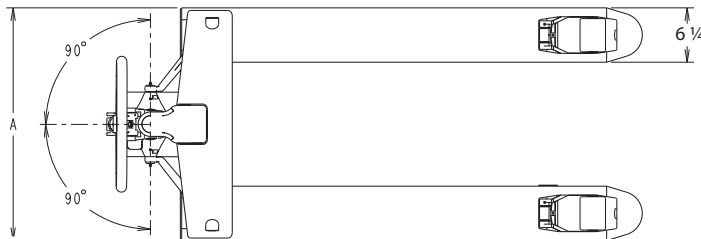
Travel direction selected by adjusting the handgrip on the towbar



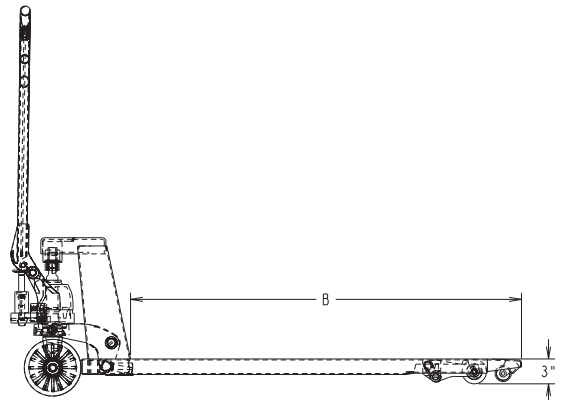
Powerthane, load rollers



Durable powder coat paint finish



***Overall Width (A):**
20.5", 27"



***Fork Lengths (B):**
36", 42", 48"