

HEAVY DUTY

HAND PALLET TRUCK

Simplicity and maneuverability make Raymond Hand Pallet Trucks the logical choice for use every day, throughout your operation. Raymond's Heavy Duty Model features an extended load capacity of 8,000 lbs. making it ideal for heavy duty applications. Features of this model include a reinforced frame, solid steel wheels and rollers and a heavy duty hydraulic pump to withstand the most demanding environments time after time.



STANDARD SPECIFICATIONS:

- Capacity: 8,000 lbs
- Fork OAW: 27"
- Fork width: 7"
- Fork length: 48"
- Fork height (lowered): 3.25"



FOR ORDERS OR INQUIRIES CALL 1.800.558.6012 OR EMAIL HPTORDERS@RAYMONDCORP.COM

If you're looking for a partner with the tools and experience to help you run better and manage smarter, contact us today at 1-800-235-7200 or visit us at raymondcorp.com.

RAYMOND

HEAVY DUTY HAND PALLET TRUCK

FLEXIBILITY

The Raymond Heavy Duty allows the operator to handle loads up to 8,000 lbs. Designed with a reinforced frame this unit is fit for heavy duty applications.

DURABILITY

The solid steel wheels, rollers, and heavy duty hydraulic pump allow Raymond pallet trucks to withstand the most demanding applications year after year.

ERGONOMICS

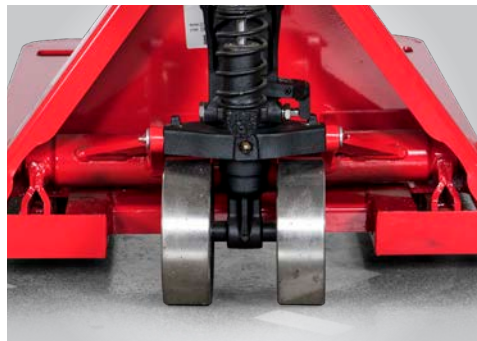
Fingertip controls provide convenient access to lift, lower and neutral positions. The handle return spring automatically restores the handle to its vertical position.

PRODUCTIVITY

The Raymond Heavy Duty has full 180-degree turning radius providing exceptional maneuverability in tight areas. Standard variable speed lowering reduces the chance of product damage. Entry and exit rollers provide smooth transitions in and out of pallets, and improved load handling.



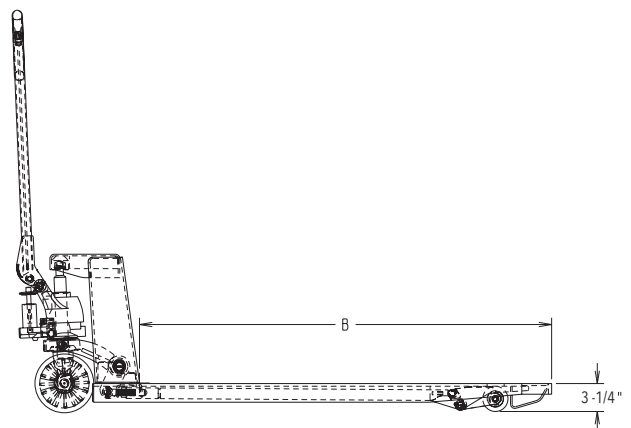
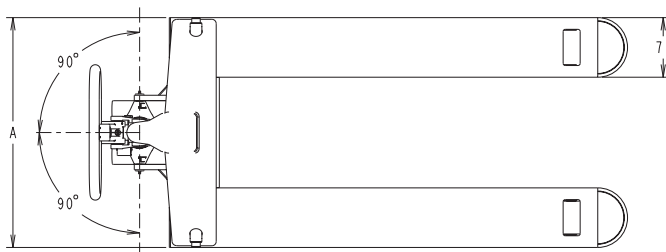
Three position fingertip control lever.



Solid steel wheels and rollers.



Heavy duty pump.



Overall Width (A): 27" Fork Lengths (B): 48"