

# UNIQUE SIZE

## HAND PALLET TRUCK

The Raymond Unique Size Series hand pallet trucks offer superior flexibility for your application. Choose from varying frame widths, fork lengths and capacities to suit your unique handling needs. The reinforced fork design provides the strength and rigidity needed to handle custom length pallets and skids, with capacities up to 5,500 pounds evenly distributed.



### STANDARD SPECIFICATIONS:

- Capacity: 5,500 lbs
- Fork OAW: 18", 20.5", 27"
- Fork width: 7"
- Fork length: 36", 60", 72", 96"
- Fork height (lowered): 3"

### Options\*

- Load and steer wheel material

*\*Not all options available on all configurations.  
Contact [hptorders@raymondcorp.com](mailto:hptorders@raymondcorp.com)*

---

FOR ORDERS OR INQUIRIES CALL 1.800.558.6012 OR EMAIL [HPTORDERS@RAYMONDCORP.COM](mailto:HPTORDERS@RAYMONDCORP.COM)

---

If you're looking for a partner with the tools and experience to help you run better and manage smarter, contact us today at 1-800-235-7200 or visit us at [raymondcorp.com](http://raymondcorp.com).

**RAYMOND**

# UNIQUE SIZE HAND PALLET TRUCK

## PRODUCTIVITY

With a variety of fork lengths and widths available, the Unique Size can be utilized with different pallet sizes. No need to swap out hand pallet trucks for different size pallets.

## DURABILITY

The Unique Size is designed with reinforced forks that provide the strength and rigidity required for custom length pallets/skids. High quality solid nylon wheels and rollers prevent premature failure associated with bonded wheels' materials.

## ERGONOMICS

Fingertip controls provide convenient access to lift, lower, and neutral positions.

## FLEXIBILITY

The Unique Size is available in a variety of fork lengths and widths allowing use with different size pallets.



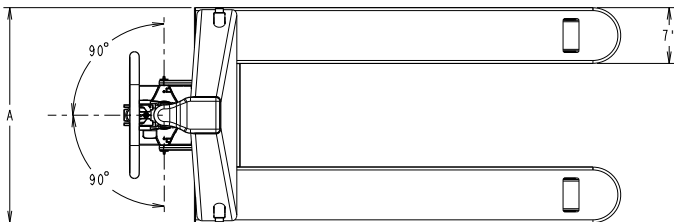
Three position fingertip control lever.



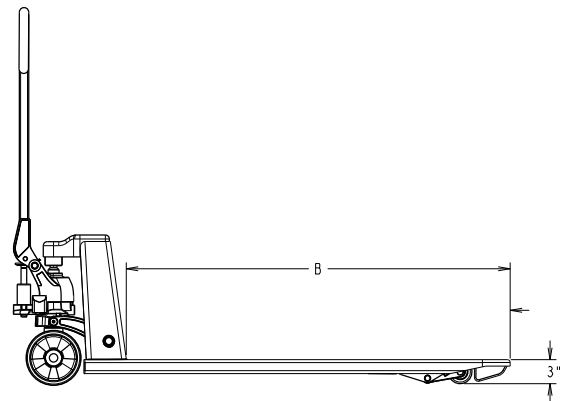
One-piece leak-proof cast hydraulic pump



High quality non-marking wheels and rollers



**\*Overall Width (A):**  
18", 20.5", 27"



**\*Overall Lengths (B):**  
36", 60", 72", 96"

*\*Not all widths are available in all fork lengths. For available configurations contact [hptorders@raymondcorp.com](mailto:hptorders@raymondcorp.com)*